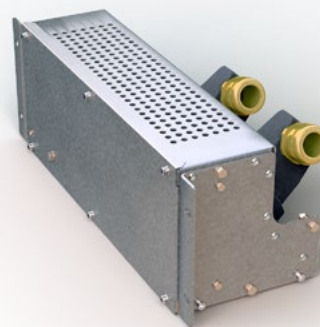
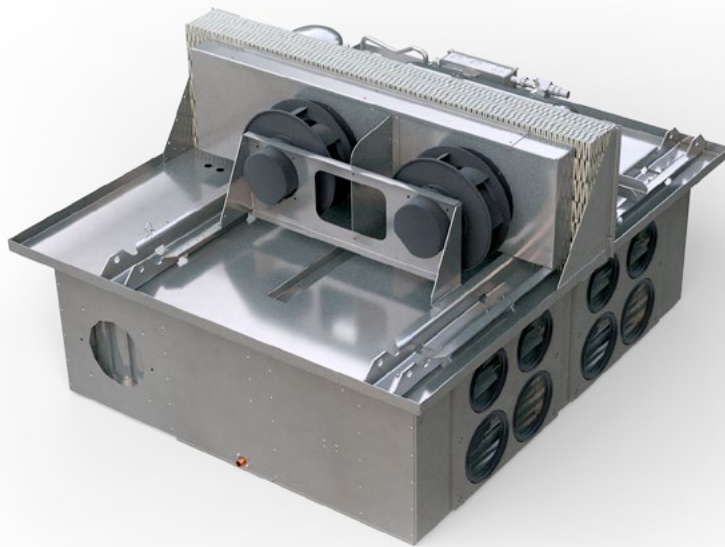


# RVKE 126-D

## Doubledecker Saloon Unit HVAC

---

Plug-in air conditioning unit for roof mount on double deck coaches. Especially designed for the requirements of this application it offers proven reliability and performance. By using steplessly variable fans and frequency controlled compressors the unit always runs at the most efficient operating point. The frequency control for the compressor can be done via auxiliary converter of the car or a built in one.



Climate computer Dosto

# Technical data

## RVKE 126-D Doubledecker Saloon Unit HVAC

<b>Customer   Platform</b>	Vossloh Kiepe / Deutsche Bahn   BA751.0, 756.0, 761.0, 761.2
<b>City of operation</b>	Hessen, Germany
<b>Cooling capacity</b>	26,0 kW
<b>Heating capacity</b>	30,0 kW
<b>Air Flow</b>	3600 m <sup>3</sup> /h
<b>Length   Width   Height</b>	1790 mm   1510 mm   985 mm
<b>Weight</b>	515 kg
<b>Power supply</b>	400 V-3-50 Hz 24 V DC
<b>Summer conditions</b> - outside	35 °C
<b>Winter conditions</b> - outside	-20 °C

